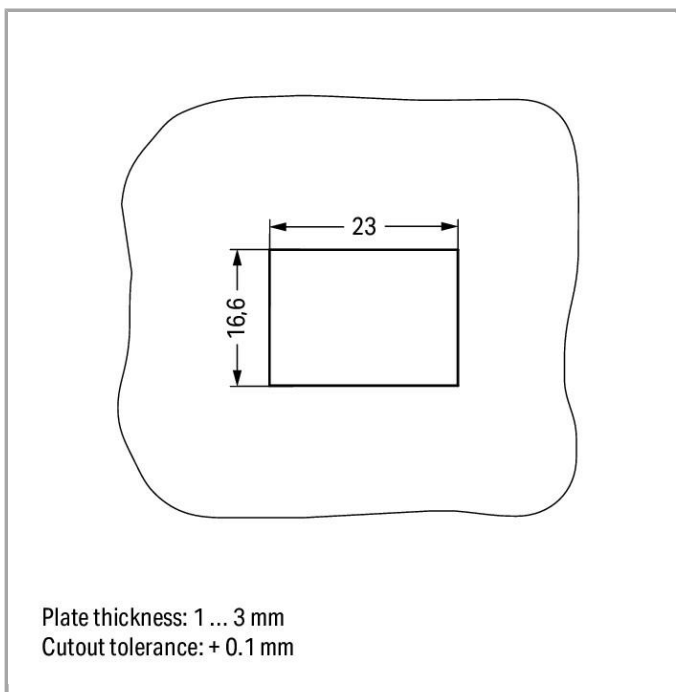
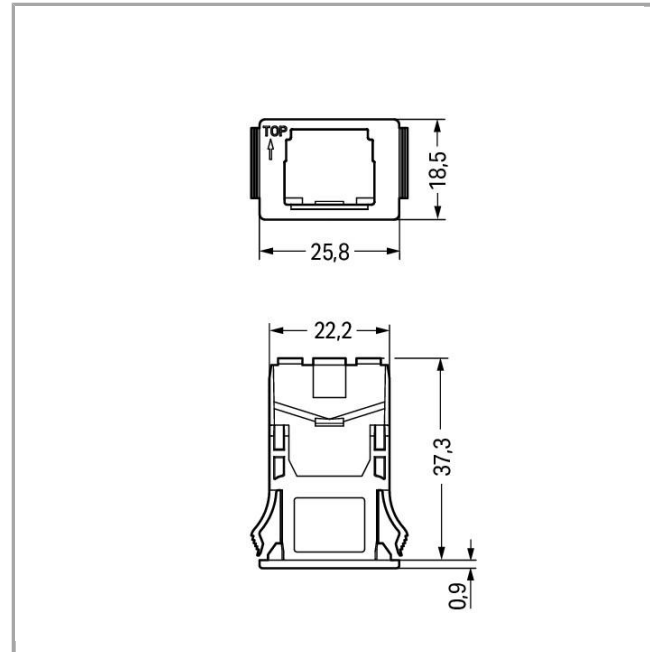
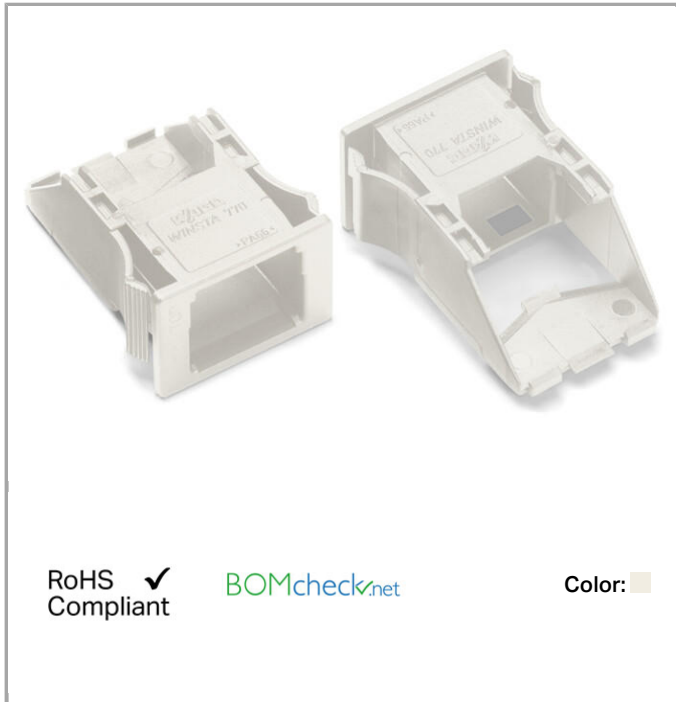


770-337



Data
Geometrical Data

Width	25.8 mm / 1.016 inch
Height	18.5 mm / 0.728 inch
Depth	38.75 mm / 1.526 inch

Mechanical data

Gehäuseblechstärke	1 3 mm / 0.039 0.118 inch
Mounting type	Snap-in

Material Data

Color	white
Insulating material	Polyamide 66 (PA 66)
Flammability class per UL94	V0
Fire load	0.081 MJ
Weight	2.71 g

Environmental Requirements


Processing temperature	-5 +40 °C
Continuous operating temperature	-35 +85 °C
Note on Continuous Service Temperature	Insulating parts for temperatures ≤ 105 °C

Commercial data

Product Group	20 (WINSTA)
Country of origin	DE
GTIN	4050821261179
Customs Tariff No.	39269097900

Approvals / Certificates

Radio-Approvals

Logo	Approval	Additional Approval Text	Certificate name
	CCA DEKRA Certification B.V.	IEC 61535	NL-32105
	CCA DEKRA Certification B.V.	EN 61535	2173495.02

Country specific Approvals

Logo	Approval	Additional Approval Text	Certificate name
	ABS American Bureau of Shipping	-	14- HG1241528-



CCA DEKRA Certification B.V.	EN 61535	2173495.02
--	----------	------------



CCA DEKRA Certification B.V.	IEC 61535	NL-32105
--	-----------	----------



DNV GL Det Norske Veritas, Germanischer Lloyd	-	TAE00001Z6
---	---	------------






DNV GL Det Norske Veritas, Germanischer Lloyd	-	TAE00001Z6
---	---	------------



LR Lloyds Register	IEC 61984	02/20050 (E6)
------------------------------	-----------	------------------

Ship Approvals

Logo	Approval	Additional Approval Text	Certificate name
	ABS American Bureau of Shipping	-	14- HG1241528- PDA
	DNV GL Det Norske Veritas, Germanischer Lloyd	-	TAE00001Z6
	LR Lloyds Register	IEC 61984	02/20050 (E6)

Compatible products

Locking lever



Item no.: 770-140 Locking lever; for sockets; for manual operation; gray	770-140
--	---------



Downloads

Documentation

Bid Text

770-337	Apr 4, 2012	doc	Download
WINSTA MIDI 2-polig		23.6 kB	

CAD/CAE - Smart Data

CAD data

3D Download 770-337	URL	Download
---------------------	-----	----------

WSCAD

WSCAD Universe	Download
----------------	----------

Subject to changes.
